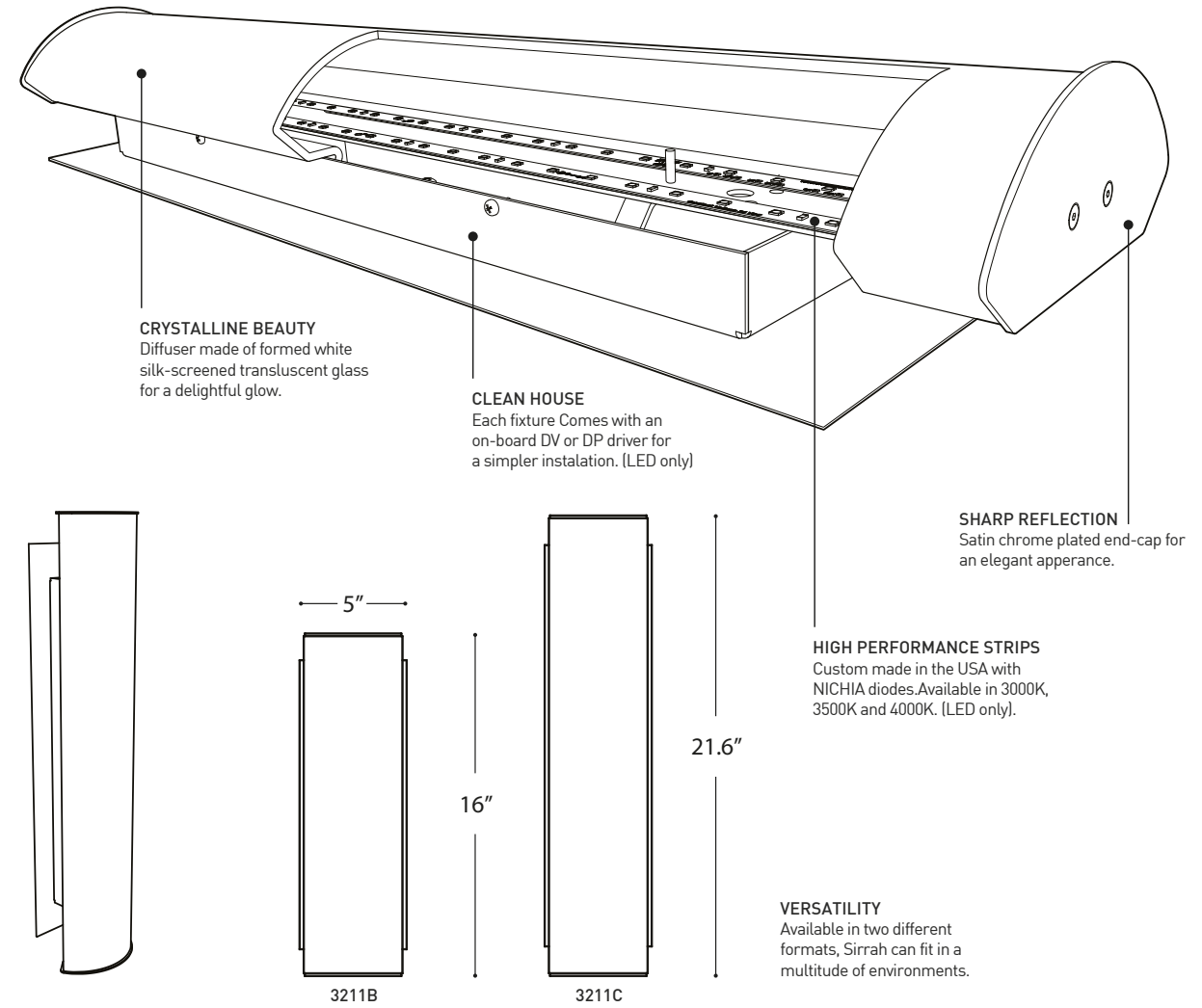


### CHARACTERISTICS

	3210B-LED REG	3210C-LED HO	3210B	3210C
LIGHT SOURCE	24x 0.38W LED (System : 11W)	76x 0.17W LED (System : 15W)	18W, CFL 2G11 T5	24W, CFL 2G11 T5
DELIVERED LUMENS	1012lm	1570lm	618lm	868lm
MODULE	UL recognized - Custom design strip - Made in USA		N/A	
CRI	83 CRI (Typical)		N/A	
DIFFUSER	Formed white silk-screened crystal glass			
LIGHT DISTRIBUTION	Direct diffused light		Direct-Indirect	
STRUCTURE	Die-stamped steel structure with chrome finish			
VOLTAGE	120V or 277V			
DIMMING	Phase (DP) or 0-10V (DV) Dimming		N/A	
LM-79	On request			
WARRANTY	5 years		2 years	



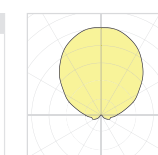
### PRODUCT SPECIFICATION

	3211B	3211C
<b>PERFORMANCE</b>		
SYSTEM WATTAGE	14 W	16 W
DELIVERED LUMENS (4000K)	1018 LM	1353.4 LM
EFFICACY	72 LM/W	85 LM/W
CRI	80	90
<b>OTHER INFORMATION</b>		
L70 (LUMEN MAINTENANCE)	60 000 HRS	60 000 HRS
LIGHT QUALITY	N/A	R9 > 50

### EFFICACY MULTIPLIERS

CRI	CCT	FACTOR
90+	4000K	1.00
90+	3500K	0.96
90+	3000K	0.92
90+	2700K	0.87

### LIGHT DISTRIBUTION



# Photometric Report

## 3210B-LED.9.40

CCT (K):	4000
Delivered Lumens (lm):	1012
System wattage (W)*:	10.8
Distribution:	Direct
Delivered Efficacy (lm/W):	93.7
Photometric type	C

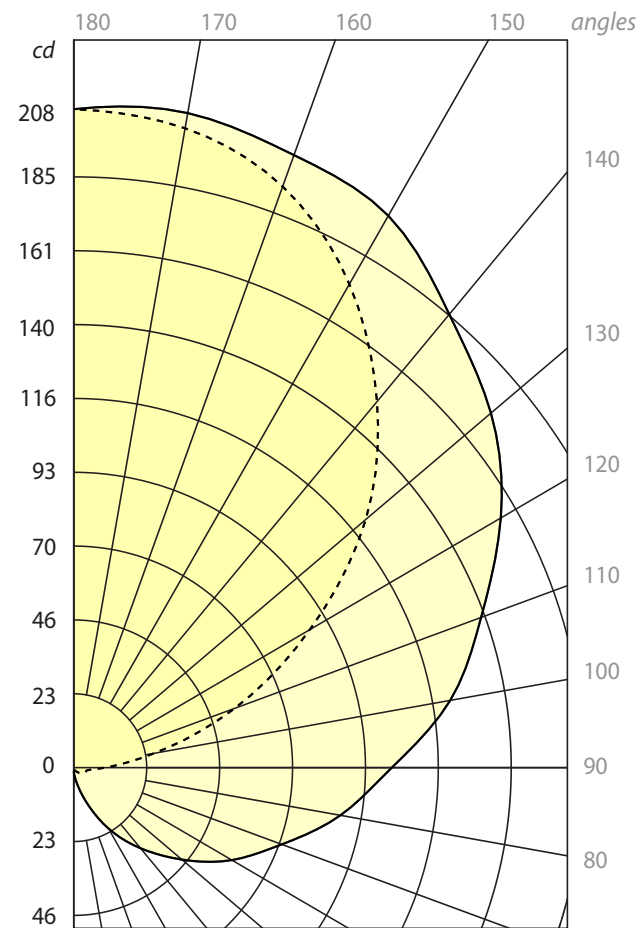
### Luminous dimensions

Luminous shape:	Rectangle
Units:	in (mm)
0-180 Axis:	4.800 (122)
90-270 Axis:	14.400 (366)
Height:	3.600 (91)

### Luminaire spacing criteria

2 luminaires, plane 0:	10.53
2 luminaires, plane 90:	2.88
4 luminaires:	8.02

\*System wattage include driver and LED module consumption



— 0 - 180  
- - - 90 - 270

## 3210C-LED.13.40

CCT (K):	4000
Delivered Lumens (lm):	1570
System wattage (W)*:	14.6
Distribution:	Direct
Delivered Efficacy (lm/W):	107.5
Photometric type	C

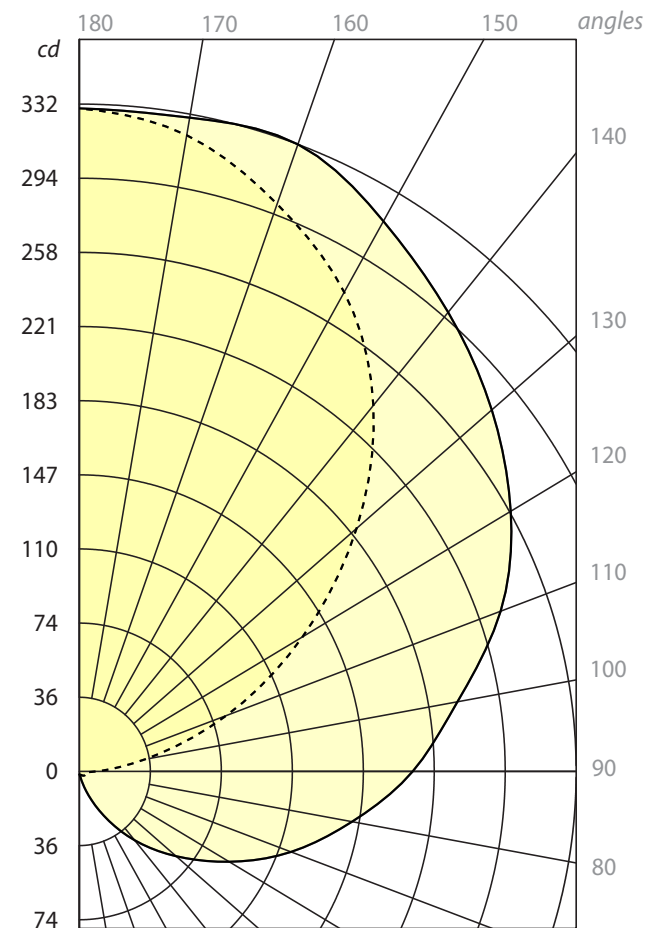
### Luminous dimensions

Luminous shape:	Rectangle
Units:	in (mm)
0-180 Axis:	4.800 (122)
90-270 Axis:	21.600 (548)
Height:	3.600 (91)

### Luminaire spacing criteria

2 luminaires, plane 0:	10.05
2 luminaires, plane 90:	2.11
4 luminaires:	7.63

\*System wattage include driver and LED module consumption



EUREKA

# Photometric Report

## 3211B-LED.11.40

CCT (K):	4000
Delivered Lumens (lm):	1018
System wattage (W)*:	13.5
Distribution:	Direct
Delivered Efficacy (lm/W):	75.4
Photometric type	C

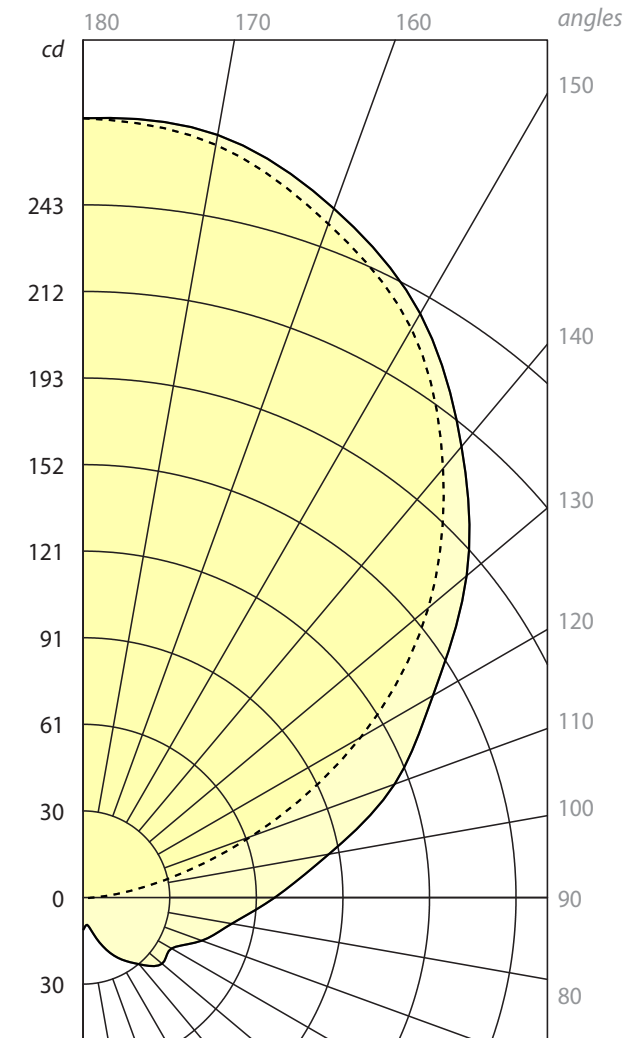
### Luminous dimensions

Luminous shape:	Rectangle
Units:	in (mm)
0-180 Axis:	4.800 (122)
90-270 Axis:	15.600 (396)
Height:	3.600 (91)

### Luminaire spacing criteria

2 luminaires, plane 0:	3.08
2 luminaires, plane 90:	1.23
4 luminaires:	2.60

\*System wattage include driver and LED module consumption



## 3211C-LED.13.40

CCT (K):	4000
Delivered Lumens (lm):	1538
System wattage (W)*:	14.6
Distribution:	Direct
Delivered Efficacy (lm/W):	105.3
Photometric type	C

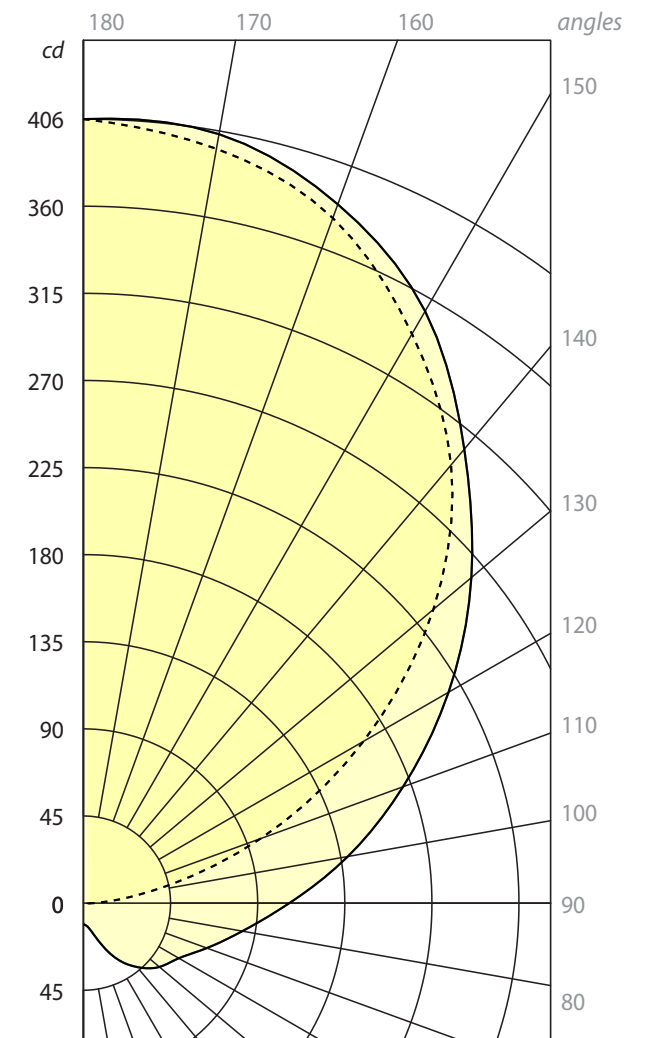
### Luminous dimensions

Luminous shape:	Rectangle
Units:	in (mm)
0-180 Axis:	4.800 (122)
90-270 Axis:	21.600 (548)
Height:	3.600 (91)

### Luminaire spacing criteria

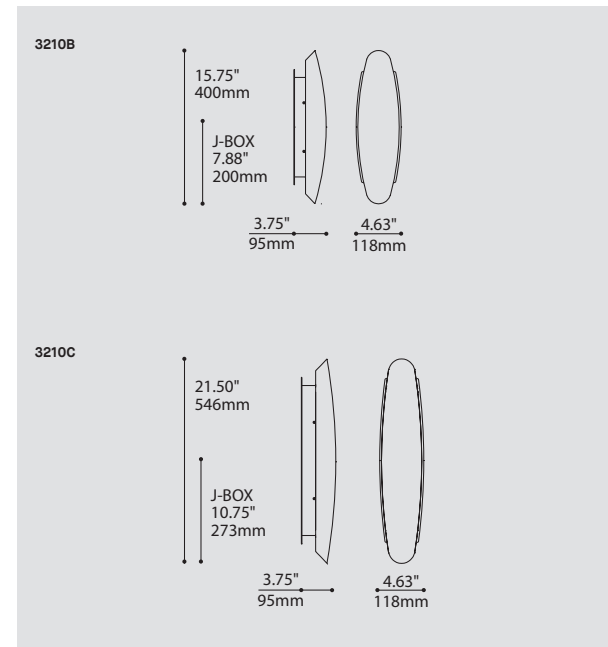
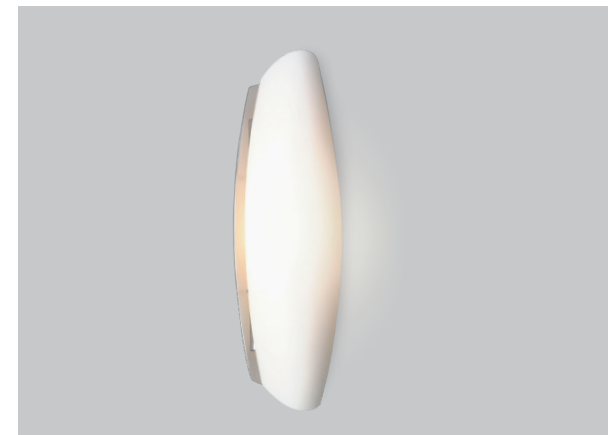
2 luminaires, plane 0:	4.10
2 luminaires, plane 90:	1.31
4 luminaires:	3.25

\*System wattage include driver and LED module consumption



## ALGEBIA 3210B / 3210C

PROJECT PROJET
SPEC TYPE
NOTES



ORDERING SPECIFICATION	SPÉCIFICATION DE COMMANDE	CODE
<b>MODEL</b> MODÈLE		
<b>3210B</b>	ALGEBIA B	
<b>3210C</b>	ALGEBIA C	
<b>LIGHT SOURCE</b> SOURCE LUMINEUSE		
<small>(WATTAGE, LAMP TYPE, LAMP FORM, BASE TYPE, OTHER INFO)</small>		
<b>3210B</b>		
<b>CF.L.18</b>	18W, CFL, LONG TWIN TUBE T5, 2G11 BASE (MAX 9" LONG)	
<b>LED.9</b>	9W, LED	
<b>3210C</b>		
<b>CF.L.24</b>	24W, CFL, LONG TWIN TUBE T5, 2G11 BASE	
<b>LED.13</b>	13W, LED	
<b>COLOR TEMPERATURE</b> TEMPÉRATURE DE COULEUR		
<small>FOR LED ONLY</small>		
<b>30</b>	3000K	
<b>35</b>	3500K	
<b>40</b>	4000K	
<b>VOLTAGE</b> VOLTAGE		
<b>120V</b>	120 VOLT	
<b>277V</b>	277 VOLT	
<b>DIMMING OPTION</b> OPTION DE GRADATION		
<small>FOR LED ONLY</small>		
<b>DV</b>	0-10V DIMMING (120-277V)	
<b>DP</b>	PHASE DIMMING (120V ONLY)	
<small>LED DIMMING DRIVER IS STANDARD IN THESE PRODUCTS. PLEASE SPECIFY YOUR DIMMING TYPE.</small>		
<b>STRUCTURE FINISH</b> FINI STRUCTURE		<b>S C</b>
<b>S C</b>	SATIN CHROME	
<b>DIFFUSER FINISH</b> FINI DIFFUSEUR		<b>WH</b>
<b>WH</b>	WHITE	

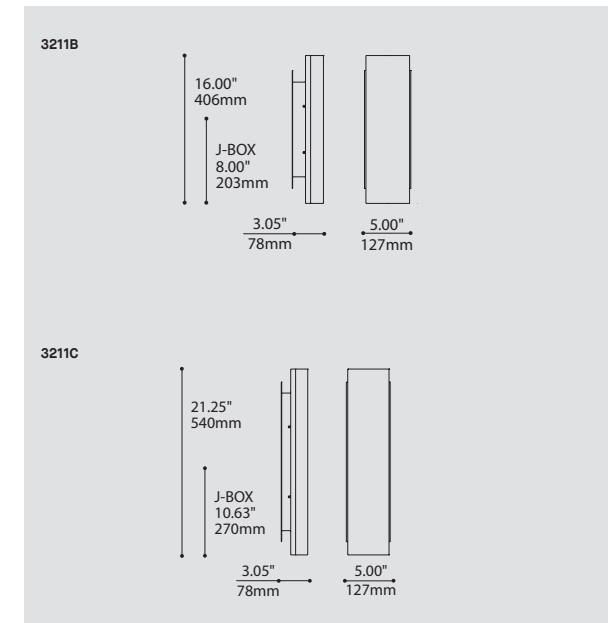
### PRODUCT CHARACTERISTICS CARACTÉRISTIQUES DU PRODUIT



<b>DESIGN:</b>	Arcing form with framing canopy plate providing diffused light. ADA compliant.
<b>LIGHT SOURCE:</b>	Efficient custom made LED strip. Also available in fluorescent.
<b>STRUCTURE:</b>	Die-stamped steel structure with plated finish.
<b>DIFFUSER:</b>	Hand blown white triplex glass.
<b>CERTIFIED:</b>	c-CSA-us, c-UL-us
<b>CONCEPTION:</b>	Forme arquée avec encadrement procurant un éclairage diffus. Conforme à la norme ADA.
<b>SOURCE LUMINEUSE:</b>	Bande DEL efficace faite sur mesure. Aussi offert en version fluorescente.
<b>STRUCTURE:</b>	Acier embouti plaqué.
<b>DIFFUSEUR:</b>	Verre triplex blanc soufflé à la main.
<b>CERTIFIÉ:</b>	c-CSA-us, c-UL-us

## SIRRAH 3211B / 3211C

PROJECT PROJET
SPEC TYPE
NOTES



ORDERING SPECIFICATION	SPÉCIFICATION DE COMMANDE	CODE
<b>MODEL</b> MODÈLE		
<b>3211B</b>	SIRRAH B	
<b>3211C</b>	SIRRAH C	
<b>LIGHT SOURCE</b> SOURCE LUMINEUSE		
<small>(WATTAGE, LAMP TYPE, LAMP FORM, BASE TYPE, OTHER INFO)</small>		
<b>3211B</b>		
<b>LED.14</b>	14W, LED	
<b>3211C</b>		
<b>LED.16</b>	16W, LED	
<b>COLOR TEMPERATURE</b> TEMPÉRATURE DE COULEUR		
<b>27</b>	2700K	
<b>30</b>	3000K	
<b>35</b>	3500K	
<b>40*</b>	4000K	
<small>*LONGER LEAD TIME MAY APPLY, PLEASE CONTACT YOUR EUREKA REPRESENTATIVE</small>		
<b>COLOR RENDERING INDEX (CRI)</b> INDICE DE RENDU DE COULEUR (IRC)		<b>90</b>
<b>90</b>	90+ CRI	
<b>VOLTAGE</b> VOLTAGE		
<b>120V</b>	120 VOLT	
<b>277V</b>	277 VOLT	
<b>DIMMING OPTION</b> OPTION DE GRADATION		
<small>FOR LED ONLY</small>		
<b>DV</b>	0-10V DIMMING (120-277V)	
<b>DP</b>	PHASE DIMMING (120V ONLY)	
<small>LED DIMMING DRIVER IS STANDARD IN THESE PRODUCTS. PLEASE SPECIFY YOUR DIMMING TYPE.</small>		
<b>STRUCTURE FINISH</b> FINI STRUCTURE		<b>S C</b>
<b>S C</b>	SATIN CHROME	
<b>DIFFUSER FINISH</b> FINI DIFFUSEUR		<b>WH</b>
<b>WH</b>	WHITE	

### PRODUCT CHARACTERISTICS CARACTÉRISTIQUES DU PRODUIT



<b>DESIGN:</b>	Arcing form with framing canopy plate providing diffused light. ADA compliant.
<b>LIGHT SOURCE:</b>	Efficient custom made LED strip.
<b>STRUCTURE:</b>	Die-stamped steel structure with plated finish.
<b>DIFFUSER:</b>	Hand blown white triplex glass.
<b>CERTIFIED:</b>	c-CSA-us, c-UL-us
<b>CONCEPTION:</b>	Forme arquée avec encadrement procurant un éclairage diffus. Conforme à la norme ADA.
<b>SOURCE LUMINEUSE:</b>	Bande DEL efficace faite sur mesure.
<b>STRUCTURE:</b>	Acier embouti plaqué.
<b>DIFFUSEUR:</b>	Verre triplex blanc soufflé à la main.
<b>CERTIFIÉ:</b>	c-CSA-us, c-UL-us